

FTEC 32B Series

12" Fan Filters/Exhaust Filters

Specification sheet

Certificates

- UL and cUL Listed, File Number E497874
- CSA and CSAus Listed, File Number 80030884
- CE Compliant

Application

FTEC32B series Fan Filter and Exhaust Filter are designed to supply forced convection filtered air for enclosures and electrical panels. By using the unique filtering and cooling features, FTEC will cool down the inside of enclosures to a desired temperature to protect the electrical and electronic parts against heat.

Features

- Type 12 and Type 3R NEMA Rating-NO HOOD REQUIRED
- IP 54 using G3 filter mat and IP 55 using G4 filter mat
- 115 VAC, 230 VAC, 12, 24, and 48 VDC available
- Polyurethane sealing gasket
- Ball bearing Fan
- Easily snaps into place without the use of screws
- Washable and reusable filter mat
- Robust flame-retardant plastic housing, UL 94-V0
- UV Resistant

Colors

- RAL 7035 – Light Gray
- RAL 7032 – Dark Gray
- RAL 9011 – Black
- Other colors on request



FTEC32B



FTEC32B series Performance Chart - 12" Fan Filter and Exhaust Filter

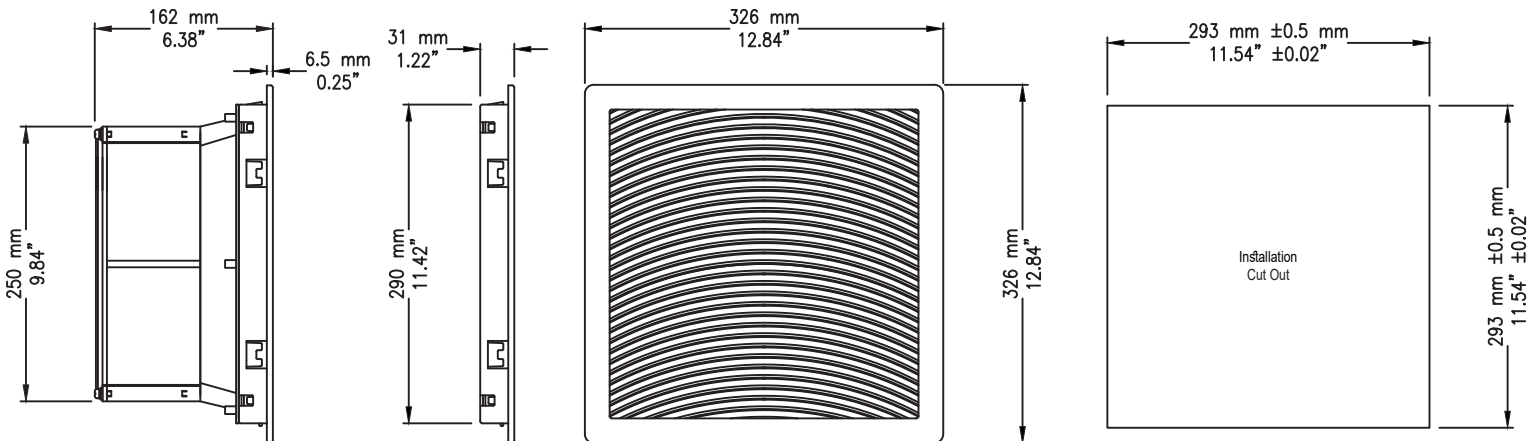
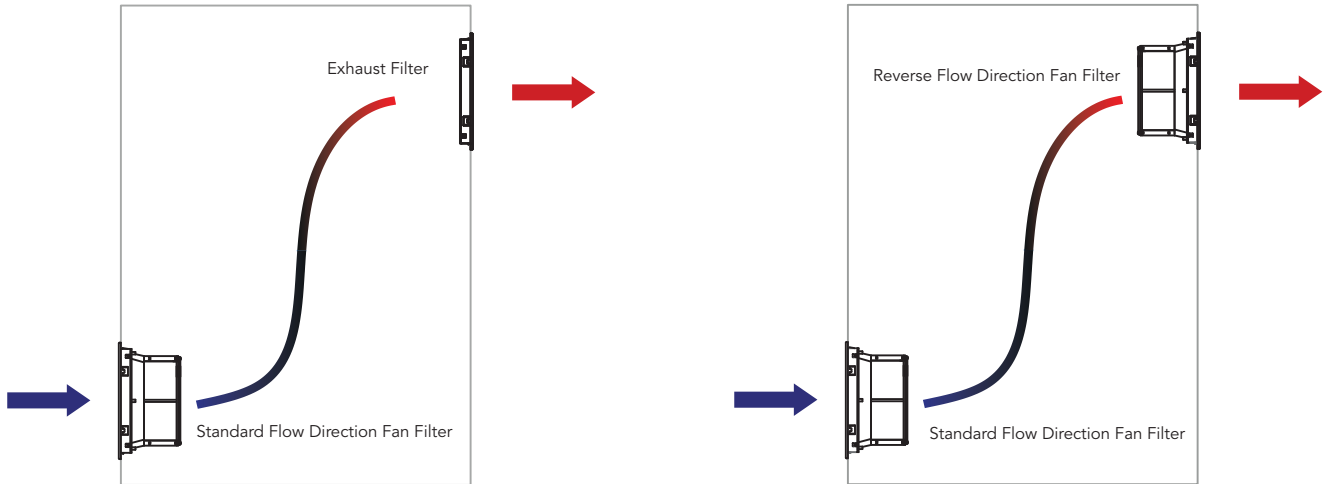
| NEMA Rating | Type 12 | | | Type 3R | | |
|---|---|-------------------|---------------|---|---------------------|------------------|
| | IP 54 | | | IP 55 | | |
| Filter Media | G3 | | | G4 | | |
| Rated Voltage | 100 120VAC | 200 240VAC | 12/24/48 VDC | 100 120VAC | 200 240VAC | 12/24/48 VDC |
| Frequency | 60/50 Hz | 60/50 Hz | | 60/50 Hz | 60/50 Hz | |
| Bearing | Ball Bearing | Ball Bearing | Ball Bearing | Ball Bearing | Ball Bearing | Ball Bearing |
| Power connection | 2 Poles Terminal & Ground | | Wires | 2 Poles Terminal & Ground | | Wires |
| Fan Filters Colors | | | | | | |
| RAL 7035 Light Gray | FTEC32L4X-115SBB | FTEC32L4X-230SBB | FTEC32L4X-DSB | FTEC32L5(**)-115SBB | FTEC32L5(**)-230SBB | FTEC32L5(**)-DSB |
| RAL 7032 Dark Gray | FTEC32D4X-115SBB | FTEC32D4X-230SBB | FTEC32D4X-DSB | FTEC32D5(**)-115SBB | FTEC32D5(**)-230SBB | FTEC32D5(**)-DSB |
| RAL 9011 Black | FTEC32B4X-115SBB | FTEC32B4X-230SBB | FTEC32B4X-DSB | FTEC32B5(**)-115SBB | FTEC32B5(**)-230SBB | FTEC32B5(**)-DSB |
| Flow Capacity (CFM-m ³ /hr at 60/50 Hz) and Maximum Static Pressure (in H ₂ O-Pa at 60/50 Hz) | | | | | | |
| Unimpeded | 450/425-765/722 | 450/425-765/722 | 550-935 | 418/396-712/675 | 418/396-712/675 | 500-850 |
| In combination | | | | | | |
| Fan Filter+Exhaust Filter | 290/275-492/467 | 290/275-492/467 | 330-560 | 235/225-400/380 | 235/225-400/380 | 280-475 |
| Max. Static Pressure | 0.50/0.46-125/115 | 0.50/0.46-125/115 | 0.60/150 | 0.48/0.44-120/110 | 0.48/0.44-120/110 | 0.54-135 |
| Fan Filter+Reverse Flow Fan Filter | 425/400-722/680 | 425/400-722/680 | 450-765 | 385/365-655/622 | 385/365-655/622 | 400-680 |
| Max. Static Pressure | 0.56/0.51-140/128 | 0.56/0.51-140/128 | 0.72-180 | 0.53/0.50-132/125 | 0.53/0.50-132/125 | 0.62-155 |
| Other Fan Filters Data | | | | | | |
| Rated Current (A) | 0.673/0.579 ± 10% | 0.296/0.259 ± 10% | 1.4 | 0.673/0.579 ± 10% | 0.296/0.259 ± 10% | 1.4 |
| Weight (gr/lb) | 3450/7.6 | | | 3450/7.7 | | |
| Noise Level (dB(A)) | 58/61 | | 60 | 56/59 | | 60 |
| Durability (hrs at 25 °C) | 50,000 | 50,000 | 50,000 | 50,000 | 50,000 | 50,000 |
| Operating Temperature (°C/°F) | -20 to +70 / -4 to +158 | | | -20 to +70 / -4 to +158 | | |
| Dimensions | 12.84" X 12.84" X 6.38" / 326 X 326 X 162 mm ³ | | | 12.84" X 12.84" X 6.38" / 326 X 326 X 162 mm ³ | | |
| Certificates | CSA-UL-CE | | | CSA-UL-CE | | |
| Exhaust Filter-Colors | Type 12-IP 54 | | | Type 3R-IP55 | | |
| RAL 7035 Light Gray | FTEC32L4X | | | FTEC32L5(**) | | |
| RAL 7032 Dark Gray | FTEC32D4X | | | FTEC32D5(**) | | |
| RAL 9011 Black | FTEC32B4X | | | FTEC32B5(**) | | |
| Dimensions | 12.84" X 12.84" X 1.22" / 326 X 326 X 31 mm ³ | | | 12.84" X 12.84" X 1.22" / 326 X 326 X 31 mm ³ | | |
| Weight (gr/lb) | 750/1.65 | | | 750/1.65 | | |
| Certificates | CSA-UL-CE | | | CSA-UL-CE | | |
| Accessories | | | | | | |
| Replacement Filter Media | FTEC32-FM-4 | | | FTEC32-FM-5 | | |
| NO Thermostat (°C) | TTEC-200-C | | - | TTEC-200-C | | - |
| NO Thermostat (°F) | TTEC-200-F | | - | TTEC-200-F | | - |

(*) 12 means 12 VDC, 24 means 24 VDC, and 48 means 48 VDC

(**) X representing Type 12, IP 55 representing Type 3R, IP 55

(***) Flow capacity at 90 VAC -60 Hz (Type 12) is 350 CFM

32 B



32
B

