

FTEC 16 Series

6" Fan Filters/Exhaust Filters

Specification sheet

Certificates

- UL and cUL Listed, File Number E497874
- CSA and CSAus Listed, File Number 80030884
- CE Compliant

Application

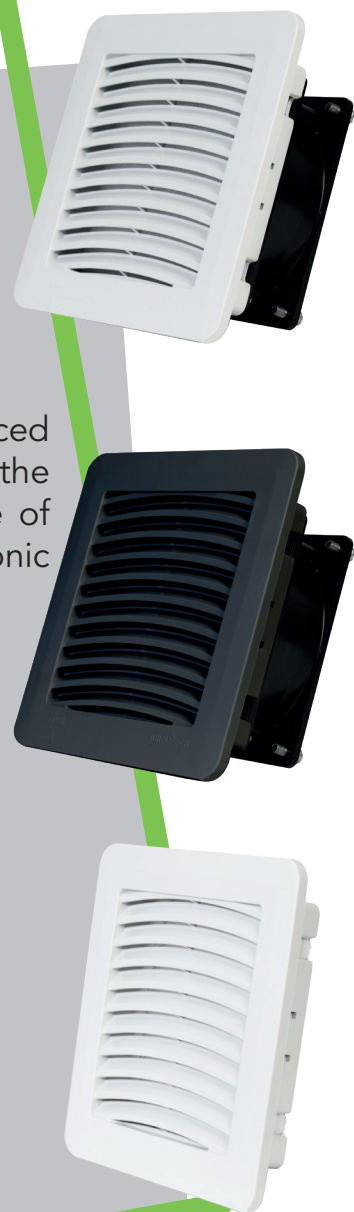
FTEC16 series Fan Filter and Exhaust Filter are designed to supply forced convection filtered air for enclosures and electrical panels. By using the unique filtering and cooling features, FTEC will cool down the inside of enclosures to a desired temperature to protect the electrical and electronic parts against heat.

Features

- Type 12 and Type 3R NEMA Rating-NO HOOD REQUIRED
- IP 54 using G3 filter mat and IP 55 using G4 filter mat
- 115 VAC, 230 VAC, 12, 24, and 48 VDC available
- Polyurethane sealing gasket
- Ball bearing Fan
- Easily snaps into place without the use of screws
- Washable and reusable filter mat
- Robust flame-retardant plastic housing, UL 94-V0
- UV Resistant

Colors

- RAL 7035 – Light Gray
- RAL 7032 – Dark Gray
- RAL 9011 – Black
- Other colors on request



FTEC16

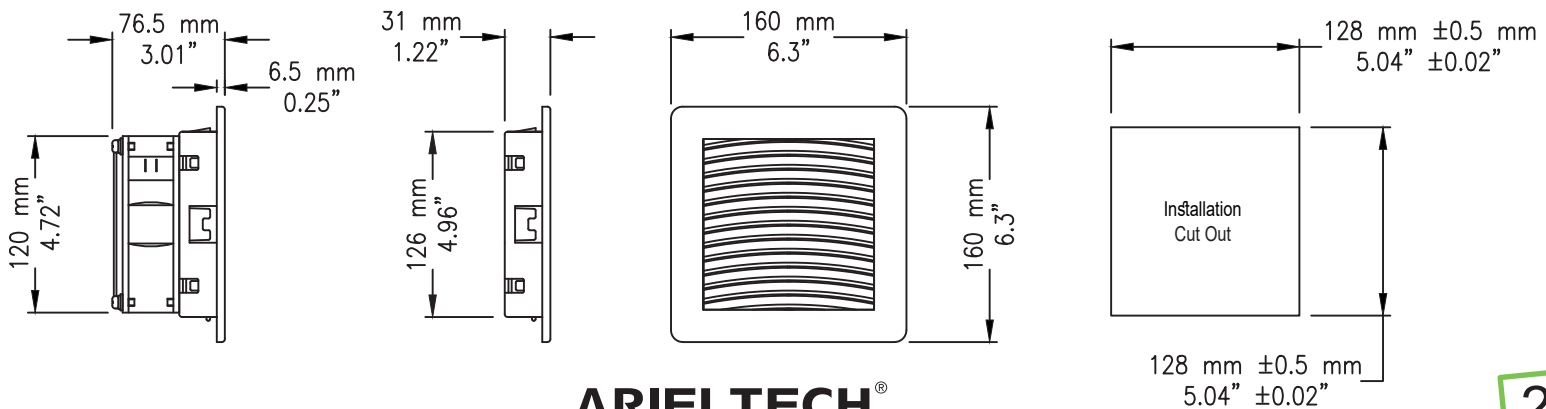
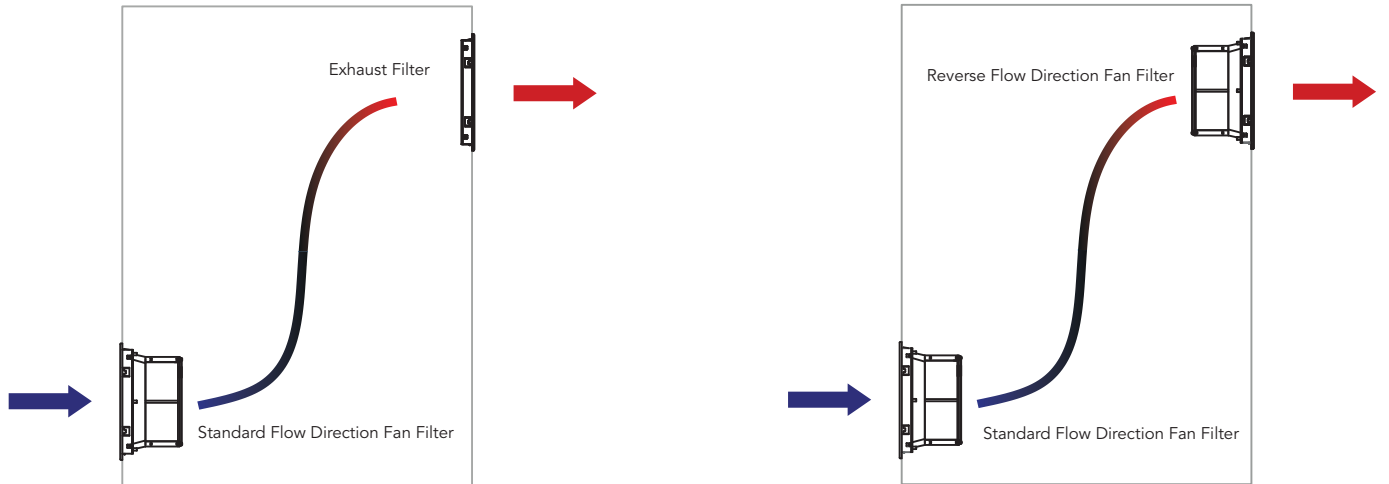


FTEC16 series Performance Chart - 6" Fan Filter and Exhaust Filter

NEMA Rating	Type 12			Type 3R		
	IP 54			IP 55		
Filter Media	G3			G4		
Rated Voltage	115 VAC	230 VAC	12/24/48 VDC	115 VAC	230 VAC	12/24/48 VDC
Frequency	60/50 Hz	60/50 Hz		60/50 Hz	60/50 Hz	
Bearing	Ball Bearing	Ball Bearing	Ball Bearing	Ball Bearing	Ball Bearing	Ball Bearing
Power connection	2 Poles Terminal & Ground		Wires	2 Poles Terminal & Ground		Wires
Fan Filters Colors						
RAL 7035 Light Gray	FTEC16L4X-115SB	FTEC16L4X-230SB	FTEC16L4X-(*)DSB	FTEC16L5Z-115SB	FTEC16L5Z-230SB	FTEC16L5Z-(*)DSB
RAL 7032 Dark Gray	FTEC16D4X-115SB	FTEC16D4X-230SB	FTEC16D4X-(*)DSB	FTEC16D5Z-115SB	FTEC16D5Z-230SB	FTEC16D5Z-(*)DSB
RAL 9011 Black	FTEC16B4X-115SB	FTEC16B4X-230SB	FTEC16B4X-(*)DSB	FTEC16B5Z-115SB	FTEC16B5Z-230SB	FTEC16B5Z-(*)DSB
Flow Capacity (CFM-m ³ /hr at 60/50 Hz) and Maximum Static Pressure (in H ₂ O-Pa at 60/50 Hz)						
Unimpeded	42/40-70/68	42/40-70/68	42-70	35/31-60/52	35/31-60/52	35-60
In combination						
Fan Filter+Exhaust Filter	35/32-60/55	35/32-60/55	35-60	30/28-50/47	30/28-50/47	30-50
Max. Static Pressure	0.32/0.28-80/70	0.32/0.28-80/70	0.38-95	0.30/0.27-75/68	0.30/0.27-75/68	0.30-75
Fan Filter+Reverse Flow Fan Filter	40/37-68/63	40/37-68/63	40-68	33/30-56/50	33/30-56/50	33-56
Max. Static Pressure	0.34/0.32-84/80	0.34/0.32-84/80	0.34-85	0.32/0.30-80/75	0.32/0.30-80/75	0.32-80
Other Fan Filters Data						
Rated Current (A)	0.22/0.26 ± 10%	0.11/0.13 ±10%	1.35/0.85/0.32	0.22/0.26 ± 10%	0.11/0.13 ±10%	1.35/0.85/0.32
Weight (gr/lb)	750/1.65			750/1.65		
Noise Level (dB(A))	45/41		50	45/41		50
Durability (hrs at 25 °C)	50,000	50,000	50,000	50,000	50,000	50,000
Operating Temperature (°C/°F)	-20 to +70 / -4 to +158					
Dimensions	6.3" X 6.3" X 3.01" / 160 X 160 X 76.5 mm ³			6.3" X 6.3" X 3.01" / 160 X 160 X 76.5 mm ³		
Certificates	CSA-UL-CE			CSA-UL-CE		
Exhaust Filter-Colors	Type 12-IP 54			Type 3R-IP55		
RAL 7035 Light Gray	FTEC16L4X			FTEC16L5Z		
RAL 7032 Dark Gray	FTEC16D4X			FTEC16D5Z		
RAL 9011 Black	FTEC16B4X			FTEC16B5Z		
Dimensions	6.3" X 6.3" X 1.22" / 160 X 160 X 31 mm ³			6.3" X 6.3" X 1.22" / 160 X 160 X 31 mm ³		
Weight (gr/lb)	200/0.44			200/0.44		
Certificates	CSA-UL-CE			CSA-UL-CE		
Accessories						
Replacement Filter Media	FTEC16-FM-4			FTEC16-FM-5		
NO Thermostat (°C)	TTEC-200-C		-	TTEC-200-C		-
NO Thermostat (°F)	TTEC-200-F		-	TTEC-200-F		-

(*) 12 means 12 VDC, 24 means 24 VDC, and 48 means 48 VDC

16



ARIELTECH®

2

