

FTEC 26 Series

10" Fan Filters/Exhaust Filters

Specification sheet

Certificates

- UL and cUL Listed, File Number E497874
- CSA and CSAus Listed, File Number 80030884
- CE Compliant

Application

FTEC26 series Fan Filter and Exhaust Filter are designed to supply forced convection filtered air for enclosures and electrical panels. By using the unique filtering and cooling features, FTEC will cool down the inside of enclosures to a desired temperature to protect the electrical and electronic parts against heat.

Features

- Type 12 and Type 3R NEMA Rating-NO HOOD REQUIRED
- IP 54 using G3 filter mat and IP 55 using G4 filter mat
- 115 VAC, 230 VAC, 12, 24, and 48 VDC available
- Polyurethane sealing gasket
- Ball bearing Fan
- Easily snaps into place without the use of screws
- Washable and reusable filter mat
- Robust flame-retardant plastic housing, UL 94-V0
- UV Resistant

Colors

- RAL 7035 – Light Gray
- RAL 7032 – Dark Gray
- RAL 9011 – Black
- Other colors on request



FTEC26

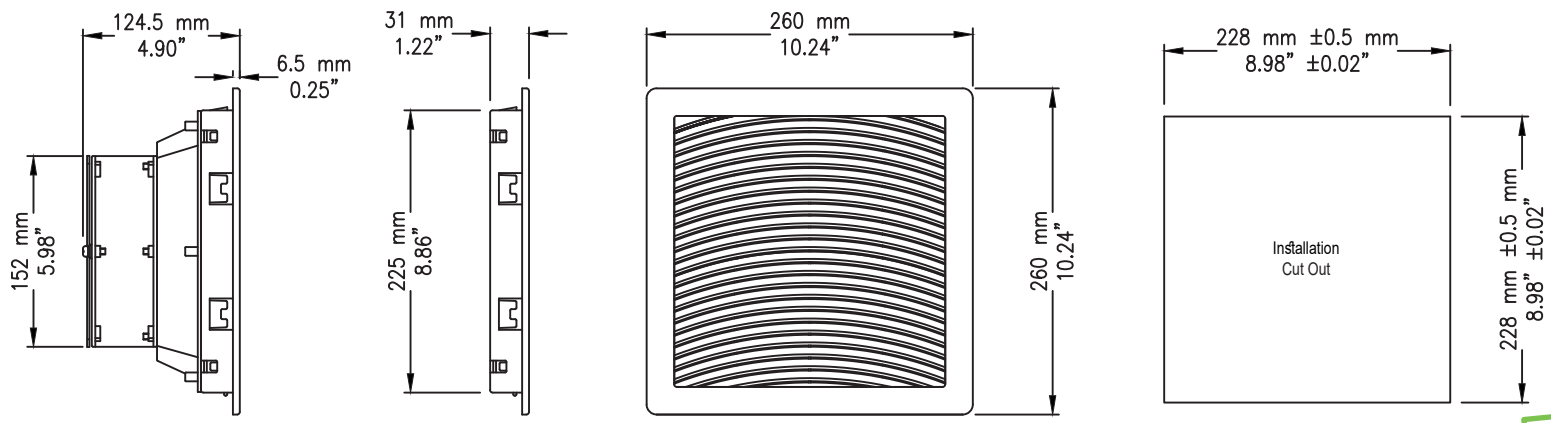
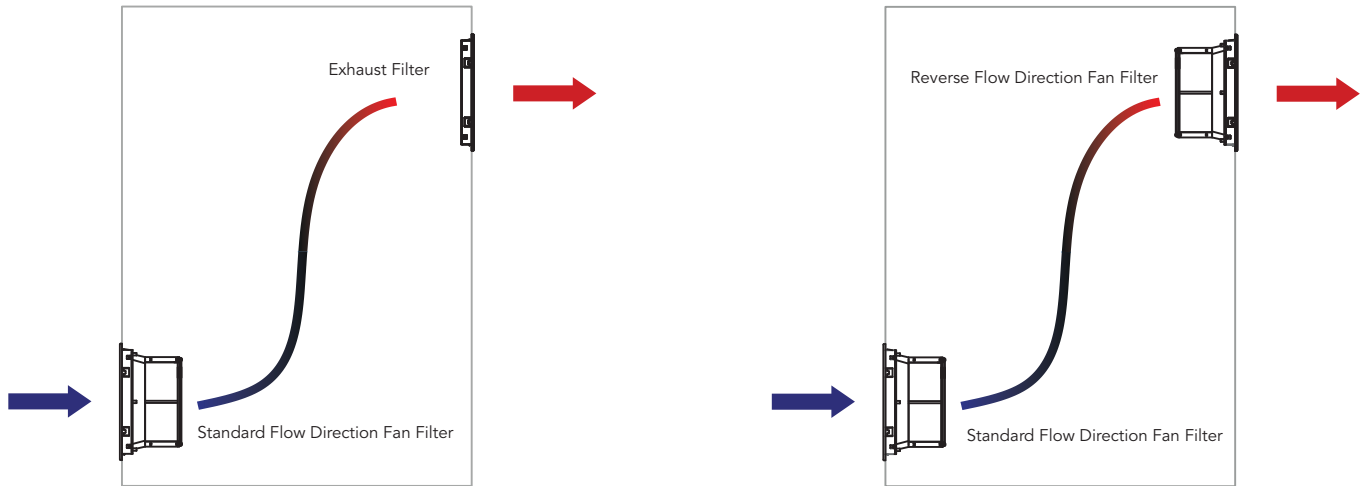


FTEC26 series Performance Chart - 10" Fan Filter and Exhaust Filter

NEMA Rating	Type 12			Type 3R		
IP Rating	IP 54			IP 55		
Filter Media	G3			G4		
Rated Voltage	115 VAC	230 VAC	12/48 VDC	115 VAC	230 VAC	12/48 VDC
Frequency	60/50 Hz	60/50 Hz		60/50 Hz	60/50 Hz	
Bearing	Ball Bearing	Ball Bearing	Ball Bearing	Ball Bearing	Ball Bearing	Ball Bearing
Power connection	2 Poles Terminal & Ground		Wires	2 Poles Terminal & Ground		Wires
Fan Filters Colors						
RAL 7035 Light Gray	FTEC26L4X-115SB	FTEC26L4X-230SB	FTEC26L4X-(*)DSB	FTEC26L5Z-115SB	FTEC26L5Z-230SB	FTEC26L5Z-(*)DSB
RAL 7032 Dark Gray	FTEC26D4X-115SB	FTEC26D4X-230SB	FTEC26D4X-(*)DSB	FTEC26D5Z-115SB	FTEC26D5Z-230SB	FTEC26D5Z-(*)DSB
RAL 9011 Black	FTEC26B4X-115SB	FTEC26B4X-230SB	FTEC26B4X-(*)DSB	FTEC26B5Z-115SB	FTEC26B5Z-230SB	FTEC26B5Z-(*)DSB
Flow Capacity (CFM-m ³ /hr at 60/50 Hz) and Maximum Static Pressure (in H ₂ O-Pa at 60/50 Hz)						
Unimpeded	165/155-280/265	165/155-280/265	170-290	150/140-255/237	150/140-255/237	155-265
In combination						
Fan Filter+Exhaust Filter	147/140-250/237	147/140-250/237	150-255	130/125-220/212	130/125-220/212	137-230
Max. Static Pressure	0.40/0.35-100/88	0.40/0.35-100/88	0.42/105	0.37/0.34-92/85	0.37/0.34-92/85	0.40-100
Fan Filter+Reverse Flow Fan Filter	155/150-265/255	155/150-265/255	160-270	140/133-237/225	140/133-237/225	147-250
Max. Static Pressure	0.46/0.43-115/107	0.46/0.43-115/107	0.48-120	0.42/0.40-105/100	0.42/0.40-105/100	0.44-110
Other Fan Filters Data						
Rated Current (A)	0.55/0.60 ± 10%	0.25/0.28 ±10%	1.22/0.35	0.55/0.60 ± 10%	0.25/0.28 ±10%	1.22/0.35
Weight (gr/lb)	1600/3.53			1600/3.53		
Noise Level (dB(A))	46/58		59	46/58		59
Durability (hrs at 25 °C)	50,000	50,000	50,000	50,000	50,000	50,000
Operating Temperature (°C/°F)	-20 to +70 / -4 to +158					
Dimensions	10.24" X 10.24" X 4.90" / 260X260X124.5 mm ³			10.24" X 10.24" X 4.90" / 260X260X124.5 mm ³		
Certificates	CSA-UL-CE			CSA-UL-CE		
Exhaust Filter-Colors	Type 12-IP 54			Type 3R-IP55		
RAL 7035 Light Gray	FTEC26L4X			FTEC26L5Z		
RAL 7032 Dark Gray	FTEC26D4X			FTEC26D5Z		
RAL 9011 Black	FTEC26B4X			FTEC26B5Z		
Dimensions	10.24" X 10.24" X 1.22" / 260 X 260 X 31 mm ³			10.24" X 10.24" X 1.22" / 260 X 260 X 31 mm ³		
Weight (gr/lb)	450/1			450/1		
Certificates	CSA-UL-CE			CSA-UL-CE		
Accessories						
Replacement Filter Media	FTEC26-FM-4			FTEC26-FM-5		
NO Thermostat (°C)	TTEC-200-C		-	TTEC-200-C		-
NO Thermostat (°F)	TTEC-200-F		-	TTEC-200-F		-

(*) 12 means 12 VDC, and 48 means 48 VDC

26



ARIELTECH®

2

